

# TURCHI

## 160-CA 720 JOULE

### MOUNTED PILE DRIVERS



- ✓ QUALITY
- ✓ PERFORMANCE
- ✓ SAFETY
- ✓ PRODUCTIVITY



**TURCHI USA HEAD OFFICE**

+1 888 480 6371  
info@turchiusa.com

**TURCHI AUSTRALIA HEAD OFFICE**

+61 1300 798 553  
info@turchi.com.au

## PRODUCTIVITY & PERFORMANCE

Turchi machines are designed from the drawing board to reality as a dedicated post driving machine, no compromises have been made. Turchi's are built with quality components, well know industry names, with reputations we stand by. Every component is individually selected and evaluated to ensure you are getting the very best, most efficient, most reliable and productive options available.

Turchi are not only the innovator of the hydraulic post driver but are also the world leader with the most sort after brand in the industry. We manufacture a complete range of post driving equipment to make installation fast easy and accurate. Turchi's additional accessories increase its flexibility, enabling penetration into all ground surfaces and making every situation a possibility, without the extensive cost and time delays of calling in expensive specialist equipment.



## SAFETY FEATURES

This Turchi machine is built to exceed the following strict European Safety Standards:

- Machinery Directives 2006/42/EC (Health & Safety)
- Directive 2000/14/EC (Acoustic Emissions)
- Directive 2004/108/EC (Electromagnetic)
- Directive 2006/95/EC (Voltage)

Other safety features include:

- Designed and built with both active and passive safety features for peace of mind.
- Ergonomic design to minimize fatigue.
- Control panel positioning allows operator full and clear view of the entire operating process.
- Recessed panel and key lock out to prevent unauthorised or accidental operation.
- Highly visible and easily accessible emergency button to shut down entire machine operations in the event of any type of emergency.
- High quality hydraulic hoses and fittings to eliminate any unexpected contact with hydraulic fluids.
- Anti drop valves on the hydraulic system prevent any uncontrolled movement if the hydraulic pressure ever fails.



## RELIABILITY WITHOUT COMPROMISE

Turchi, the innovator of the hydraulic post driver, has been designing and building in Italy since 1970. Turchi is the bench mark for the industry and is always ahead of the competition in quality, new technologies and reliability.

- Motors and hydraulic systems have been specifically designed and built to enable all day operation in all environments.
- Engines are water cooled to ensure reliability, and to lower servicing, running and maintenance costs.
- Our Indeco branded hydraulic hammers, originally designed for the demolition industry, are the best in the industry and built to last.

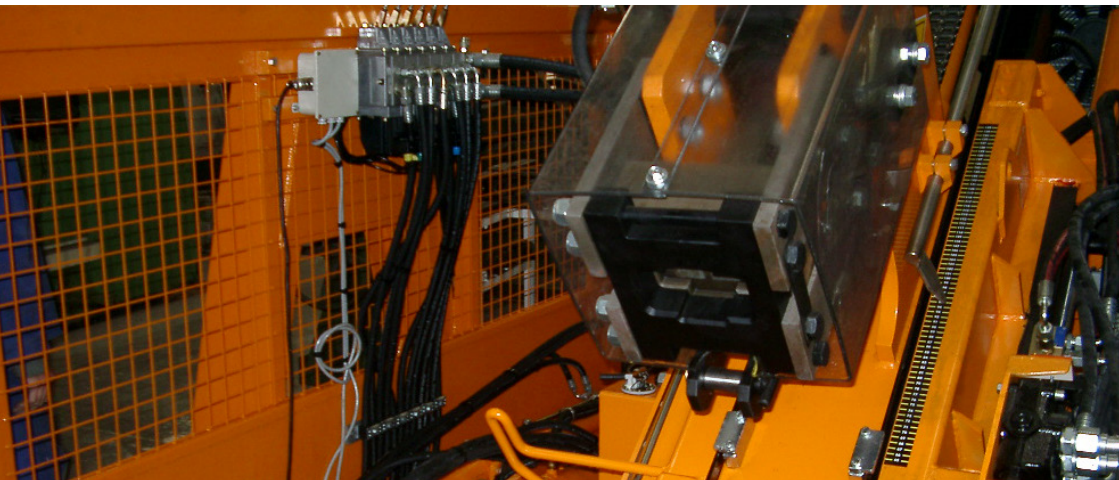




## COMPACT MACHINE

Turchi's are designed with a compact footprint. This is to minimise environmental disruption and limits the space required, so less lane closures, minimising traffic disruptions. Although they are compact – they abilities can seem endless.

- Extendable masts – allowing the ability to drive extra length posts.
- Easy and accurate location of the column with easy to adjust long horizontal and lateral placement, means less time spent tracking the machine into position – increasing productivity.
- Logical and ergonomically placed machine controls – allows posts to accurately be placed and drive posts with the operator in full control and with optimum visibility, ensuring accuracy with every post.
- Column can be inclined +10 to -51 degrees for angled post installation or extraction of posts and also a lateral inclination of +10 to -10 degrees.
- Low centre of gravity giving stability to the machine even when driving in to the most stubborn of ground surfaces.
- The hydraulic positioning foot guide allows for fast and accurate post driving.
- Wide rubber tracks give great traction, less bogging and less environmental destruction. They are quiet and less damaging on surfaces than metal tracks or tyres. With hydraulic adjustable track adjustment makes this easy and trouble free.
- No dedicated machine operator, increasing productivity as well as lowering labour costs.



## SPECIFICATIONS

### HAMMER



Brand	Indeco	
Joule Rating	720	
Blows	n/min	600-1340
Hammer Weight	kg	340
	lbs	750

### MACHINE TRAVEL SPEED

Low Speed	km/h	
	m/h	
High Speed	km/h	
	m/h	

### MAXIMUM POST SIZE

Height	mm	2,650
	inches	104
Option	mm	
	inches	
Side	mm	200 / 160
	inches	8 / 6

### ENGINE

**YANMAR**

Make	Hatz/Yanmar	
Model	2L41C / 3TNV82	
KW	27 / 21.9	
HP	36.7 / 29.8	
Noise Rating	dba	78/110

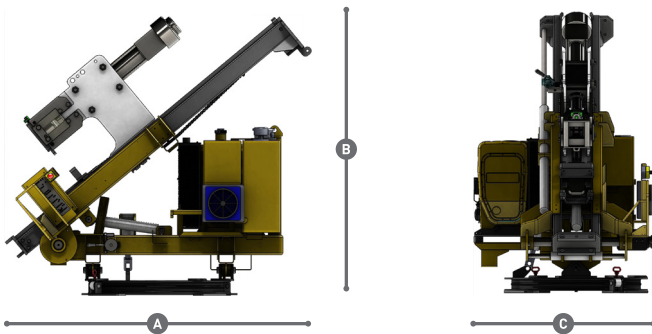
### HYDRAULIC SYSTEM

*Danfoss*

Oil Tank Size	litres	98
	gallons	25
Oil Flow Rate	l/m	40 / 70
	g/m	16 / 24
Oil Pressure	bar	180
Fuel Tank Size	litres	45
	gallons	12

## **TRANSPORT DIMENSIONS**

Height	mm	2,148
	inches	85
Width	mm	1,365
	inches	54
Length	mm	2,305
	inches	91
Weight	kg	1,600
	lbs	3,527
Column Inclination	degrees	+10 to -51
Lateral Inclination	degrees	+10 to -10



## **KEY**

**A** 2,305mm 91"  
**B** 2,148mm 85"

**C** 1,365mm 54"